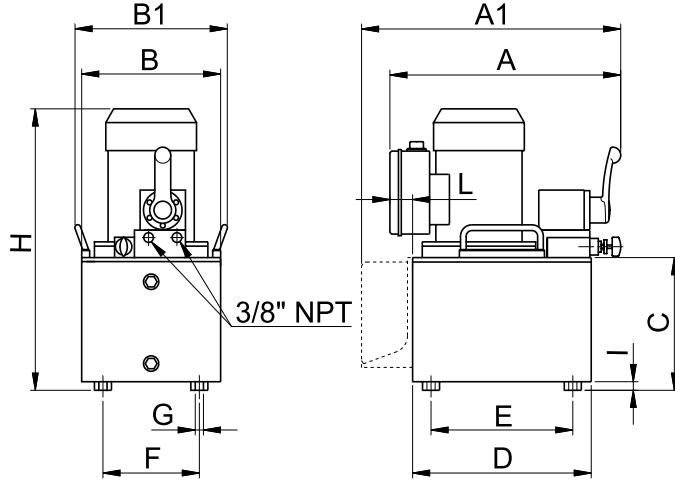


MODULAR POWER PACKS WITH SINGLE PHASE ELECTRIC MOTOR

700 BAR



- Reservoir capacity **5 - 40 l**
- Delivery at 700 bar **0,45 - 0,9 l/min**
- Power rating **0,75 - 1,5 kW**
- Max pressure **700 bar**

DIMENSIONS

Reservoir capacity	Usable oil volume	Dimensions mm												
		litres	litres	A	A1 ⊙	B	B1	C	D	E	F	G	H ⊙	I
5	3,8							129					410	
10 high	8,8	370	470	245	270	227	315	250	170	M8	508	10		
10 low	7,7					129							410	
20	17,7	447	-	360	378	410	320	270		∅9	538	40		
40	35,8	462		600	-	257	440	350	510					

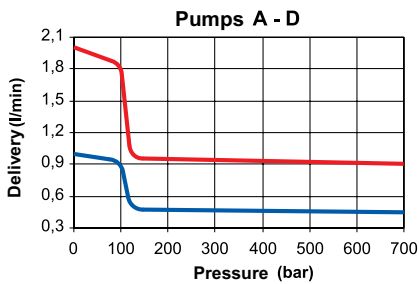
⊙ Add 48 mm for model **MMC, MMH**.

⊙ For power packs with **5 l** and **10 l** high tanks with remote control model **R** or **F** only.

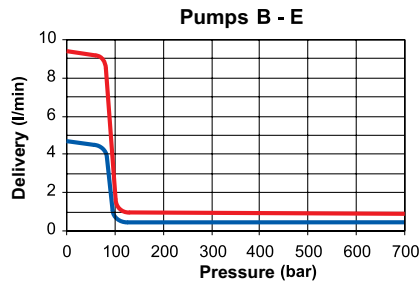
OPERATING CHARACTERISTICS

MODEL	Oil delivery		Pressure		Motor		
	1 st Stage	2 nd Stage	1 st Stage	2 nd Stage	Voltage	Power	Speed
	l/min	l/min	bar	bar		kW	rpm
MMA	0,9	0,45	100	700	230V-50Hz (Motors with different voltage upon request)	0,75	1400
MMB	4,7		85				
MMC	-	-					
MMD	1,8	100	2800				
MMH	2,4	85	1400				
MME	9,4			2800			

DELIVERY DIAGRAM



DELIVERY DIAGRAM



DELIVERY DIAGRAM

