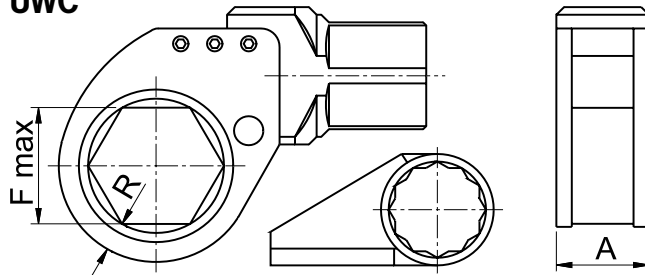
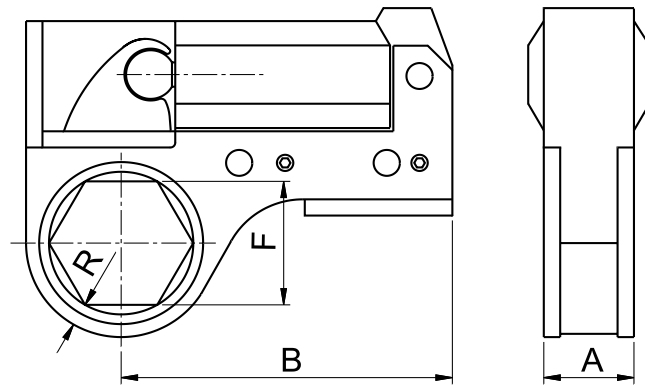


TORQUE WRENCHES

UWC



UWCL



■ Max Torque **1360 - 108800 Nm**

■ Hexagon Cartridge: **24 - 250 mm**

SELECTION CHART: STEEL WRENCHES WITH INTERCHANGEABLE CARTRIDGE

Max Torque Nm	F max mm	MODEL	Dimensions mm	
			A	R
1360	41	UWC1	38	11
2040	55	UWC2	41	12
4488	65	UWC4	52	15
7888	75	UWC8	58	16
10060	80	UWC10	64	18
14960	120	UWC15	82	20
20400	120	UWC20	96	22
28560	130	UWC28	100	25
43520	155	UWC41	120	30
68000	205	UWC68	147	38
108800	250	UWC109	180	48

SELECTION CHART: LIGHT ALLOY WRENCHES WITH INTERCHANGEABLE CARTRIDGE

Max Torque Nm	F mm	MODEL	Dimensions mm		
			A	B	R
1630	24 - 36	UWCL2	32	170	12
2850	36 - 60	UWCL3	35		14
4100	46 - 65	UWCL4	40	200	15
6120	50 - 80	UWCL6	42		16
10500	65 - 100	UWCL10	64	230	18
19000	80 - 120	UWCL19			19
27000	90 - 130	UWCL27	80	280	23
41000	100 - 155	UWCL41		290	27